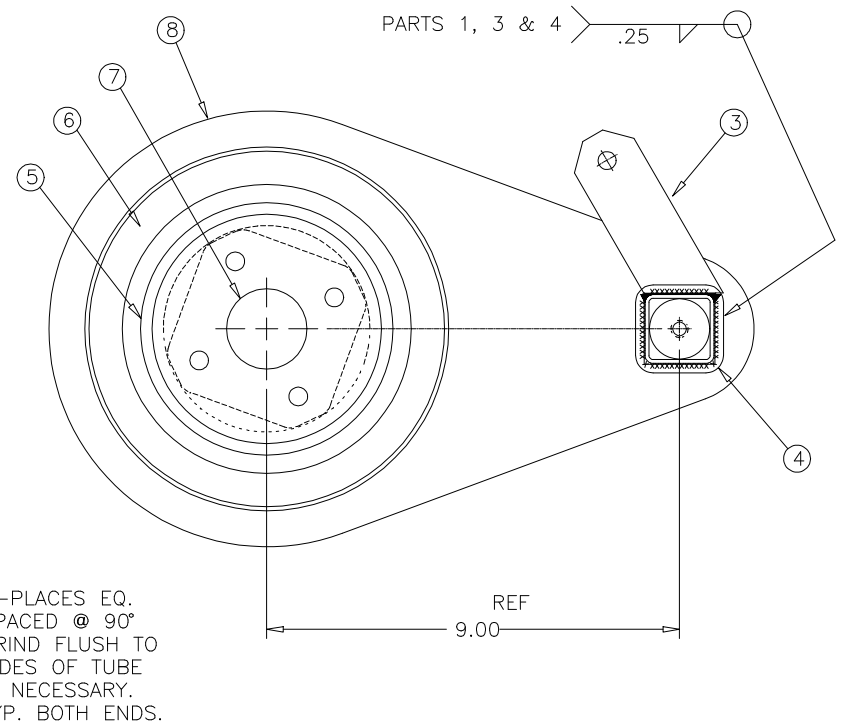
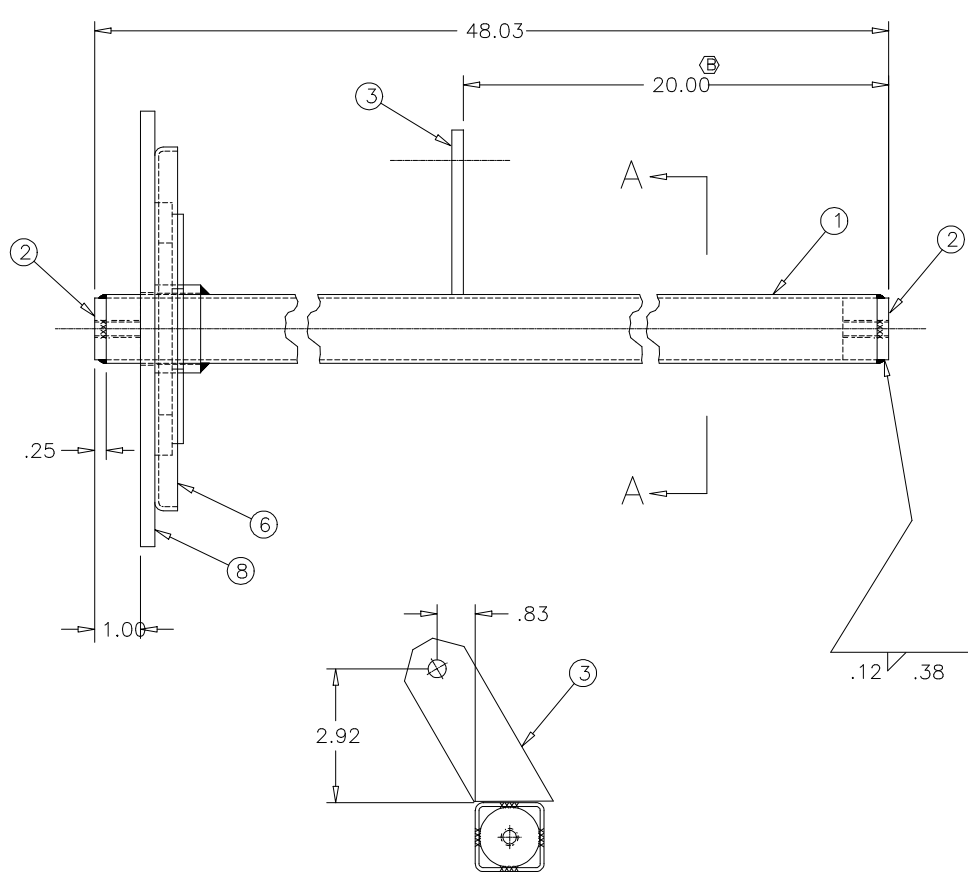


REV	ECN #	DATE	DESCRIPTION OF CHANGE-IS (WAS)	BY:
(A)	5850	8-15-97	RELEASED FOR PRODUCTION	TO
(B)	6160	10-20-97	ADD PART #3	TO
(C)	6574	12-2-98	ADDED PART #'S 4,5,6,7 DEL 318636	MM



SECTION A-A

318732C

BILL OF MATERIAL			
ITEM	PART #	DESCRIPTION	QTY
1	318733	TUBE-WD MB PIVOT	1
2	318756	MB PIVOT TUBE WD-END BAR	2
3	318784	ARM-WD MB LIFT	1
(C) 4	312418	TUBE-WD BRM MNT 62 DSL	1
(C) 5	300012	SPACER-WD PLATE BRM MNT	1
(C) 6	300023	PLG-MAIN BROOM GUARD	1
(C) 7	305779	PLATE-WD BRM MNT	1
(C) 8	312279	MB IDLER ARM WD-PLATE	1

REF: 318569

THIS DOCUMENT AND ALL INFORMATION CONTAINED IN THIS DOCUMENT ARE CONFIDENTIAL AND PROPRIETARY TO AAR POWERBOSS, INC. ("AAR"). UNAUTHORIZED POSSESSION OR USE THEREOF IS PROHIBITED. THIS DOCUMENT, OR ANY PART HEREOF, OR ANY INFORMATION CONTAINED HEREIN, MAY NOT BE DUPLICATED, REPRODUCED, OR DISCLOSED TO ANY PERSON FOR ANY PURPOSE EXCEPT AS SPECIFICALLY AUTHORIZED IN WRITING BY AAR. BY ACCEPTING THIS DOCUMENT, RECIPIENT AGREES TO COMPLY WITH THE FOREGOING AND TO RETURN THIS DOCUMENT TO AAR IMMEDIATELY UPON REQUEST. UNPUBLISHED--ALL RIGHTS RESERVED UNDER COPYRIGHT LAWS.

SOURCE:
 PN. SEE BOM
 MATL: SEE BOM
 FINISH: PAINT MAROON (301372)
 UNSPECIFIED TOLERANCES:

.X	.1	ANGULAR:
.XX	.03	X .1°
.XXX	.010	X .5°

 DES. ENG: TIM O'CONNOR
 ENG. REL:

AAR PowerBoss
 Aberdeen, North Carolina 28315
 PHONE (910) 944-2105 FAX (910) 944-7409

CAD BY: TO DATE: 3-18-97
 DESCRIPTION
 WELD- PIVOT TUBE SW/72U
 PART NO. 318732 REV C SHT NO.